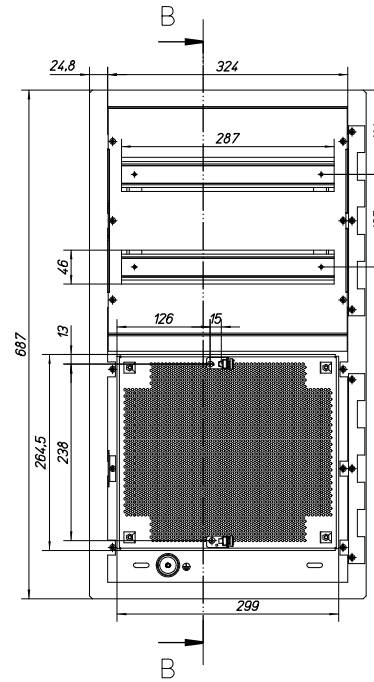
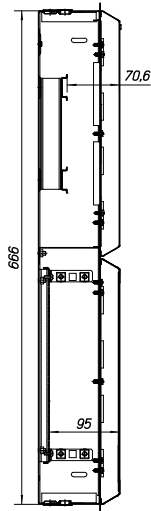
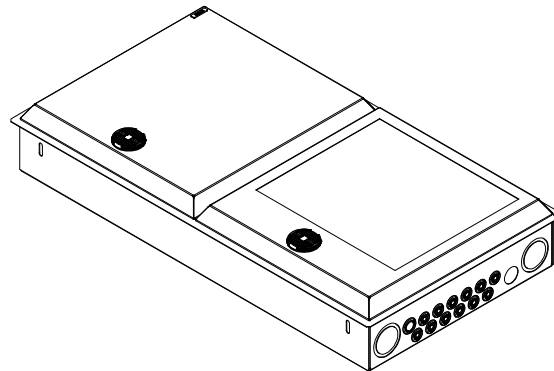
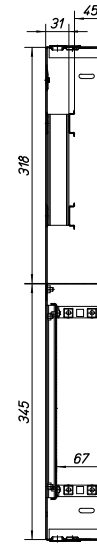


Schnitt A-A



Schnitt B-B



CONSTRUCTION AND DIMENSIONS: THIS DOCUMENT IS THE PROPERTY OF EATON. ANY REPRODUCTION OR TRANSMISSION OF THIS DOCUMENT WITHOUT THE WRITTEN PERMISSION OF EATON IS STRICTLY PROHIBITED. EATON ASSUMES NO LIABILITY FOR THE ACCURACY OF THE INFORMATION CONTAINED HEREIN. THE USER SHALL BE RESPONSIBLE FOR THE PROPER USE OF THE INFORMATION CONTAINED HEREIN. © 2002 Eaton. All Rights Reserved.

Pos.	Unit	Name	Drawing no.	Material, dimensions, processing
Mat.:			Eaton Industries (Austria) GmbH Eaton Electrical Sector Eggen 1 3943 Schwarn, Austria TEL. +43 2853 702-0, Fax +43 2853 76509	
processing:			part list:	
Dim. without tol. spec. accord to:			Designed:	
Change: from: at:			Drawn:	
			Checked:	
Scale:			1-32-3-MP-PATCH-DHS+DHP	
				VE129700
Replacement for:				
Replaced by:				

